

Start the Party: Celebrate the Good News

Joy is choosing to celebrate what God is doing.



MEMORY VERSE

"Always be joyful because you belong to the Lord. I will say it again. Be joyful!"
Philippians 4:4, NIV

Talk About the Bible Story

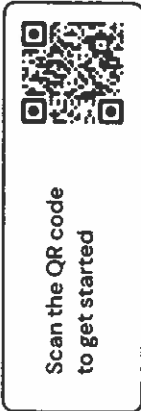
Open the Bible together and read Revelation 21, 22:1-5 or watch the video together on the Parent Cue app.

Engagement Questions

- **What's the best party you can imagine?**
- Why is it sometimes challenging to focus on what God will do, rather than focusing on what God is doing now?
- How can you celebrate what God will do?

Faith and Character Activity

Scan the QR code below for activities to guide kids at every phase to trust Jesus in a way that changes how they see God, themselves, and the rest of the world.



Prayer

"Dear God, thank You for sending us Jesus, to bring joy to the world. Thank You for showing us how to have joy every day and for giving us the strength and wisdom to help others find joy too. Most of all, thank You for all the ways You are showing up for us. We love You, and we pray these things in Jesus' name. Amen."

Weekly Parent Cues →

Preteen

ENGAGE IN EVERYDAY MOMENTS TOGETHER



Morning Time

As your kid starts their day, point out something good you've seen them do or say lately.



Meal Time

At a meal this week, have everyone at the table answer this question: "What's the best party you can imagine?"



Drive Time

While on the go, share something God has done for each of you and celebrate it with a special treat.



Bed Time

Pray for each other: "God, we thank You for all the things You have done in our lives. [Name some.] And we also thank You for the things You will do—because You are always at work."

More Ways to Engage with Your Kid

Faith & Character Activities



Worship Song of the Month



Download the Parent Cue app

AVAILABLE FOR APPLE AND ANDROID DEVICES



Journal

Spend some time thinking about the question below and journal your thoughts or share them with a parent.



Multiple horizontal dotted lines for journaling.

July 2024

Week Four Preteen



Day 1

After watching, write one thing that:

1. You liked:

Visit the Parent Cue app (available for iOS and Android) to watch this week's Bible story.

2. You learned:

Download it for free at parentcue.org/app.

3. You'd like to know:

Even if you already saw it at church, feel free to check it out again!

A Devotional on Joy.

FOR AN **everyday faith.**

Day 2

Read Revelation 22:1-5

Get a sheet of paper and your favorite drawing or coloring utensils. Illustrate the description of the water of life and the tree of life, along with 12 different fruits, as described in Revelation 22:1-5. (Need help coming up with fruit ideas? See the upside-down list below.) If you have silver glitter or any other fun decorative supplies, make the water look like crystal. And don't forget the leaves that bring healing to the nation.

This is just one of many descriptions of heaven that John wrote down for us in Revelation. This month of focusing on celebrating what God will do has brought so much JOY, hasn't it?



Answers: Apple, Raspberries, Orange, Blueberries, Banana, Mandarin oranges, Strawberries, Plums, Kiwi, Peaches, Blackberries, Nectarines

Day 4

What's the best party you can imagine?

That is going to be the question of the day. Grab a piece of paper and a writing utensil, or if you have access to some sort of recording device (like a smart phone voice memo app), record your interviews (if you do choose to record, be sure to get permission from the person you're recording).

Interview at least five people of varying ages and ask them, "What's the best party you can imagine?" If they need more prompts, ask them about the location, the decorations, would there be a theme, who would be invited, would there be music and dancing, what kind of food would be served, etc.

Once you've finished interviewing everyone, compile your answers. (If you recorded them, jot down the highlights of each person's answers.) Did you find any common themes? If so, circle those. Then go back and highlight the answers that sound super fun to you, but also are doable. Is this a party you could pull off, perhaps with your family's help? Now hold on to the sheet until tomorrow...



Day 3

What do you think about the idea of heaven?

Does it excite you? Does it make you feel a little strange, or even nervous? It's normal to feel that way because our minds truly can't imagine what FOREVER looks like or what it will mean to be with God every day. But it's also AMAZING to think of forever. Guess what—God can handle your fears and your excitement at the same time!

Pray the prayer below and thank God for the promise of heaven.

Dear God, thank You for making a plan for humankind so that I can live with YOU forever! Sometimes forever seems scary—until I think about the fact that it means living with You, the God who made me and loves me, for all time. I love You, and I thank You for all that You have done, are doing, and WILL do in my life. In Jesus' Name, I pray. Amen.

Day 5

Celebrate what God will do.

Pull out your party planning sheet from the day before and take a look at your plan. Is this something you could reasonably pull off before the summer ends and you go back to school? If not, make some changes and scale it back a little. Then call on your family. Explain that you want to have a party focused on the theme of JOY. Show them your plan and divide up the tasks. Don't forget to pick a date and time that works for everyone. Decide if you want to keep it just a family party, or if you can invite some friends as well. Whatever you decide is great—just make sure you take some time celebrating what God has done, is doing, and will do in your lives! Now, go have a party!

1 Peter 1:8-9
How can you love what you cannot see?

Revelation 7:16-17
Who is described as the shepherd and why?

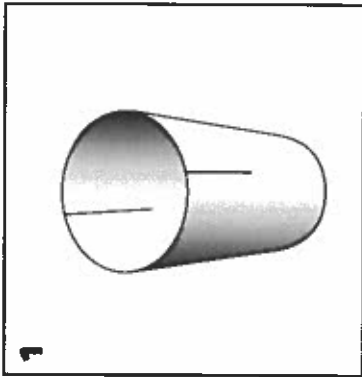
Isaiah 35:10
What's the happiest you've ever been?
Can you imagine an everlasting joy even greater than that?

Psalms 16:11
What do we experience when we are with God?

Philippians 4:4
How can you remember to always be joyful?

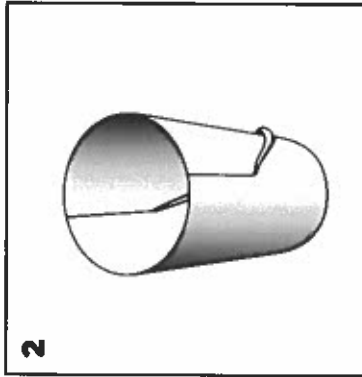
What to Do:
Print on paper, two copies for each Small Group.

"Balloon Blow Up" Activity Page
July 2024, Week 4, Preteen Small Group
©2024 The reThink Group, Inc. All rights reserved.



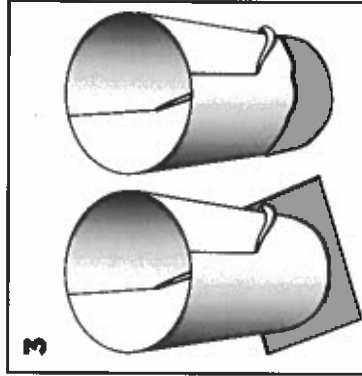
1

Use scissors to cut slits down each side of one end of the tube, about a 3rd of the way down. The slits should be parallel to each other.



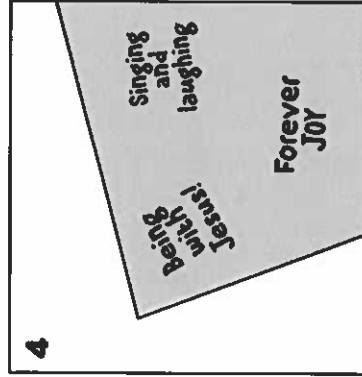
2

Pull the rubber band or hair tie through the slits.



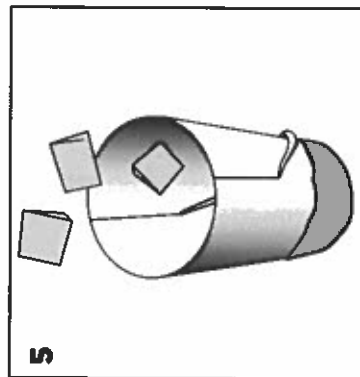
3

Cover the other end of the tube with a tissue paper square, securing it with glue or tape. (If you use glue, give it some time to dry.)



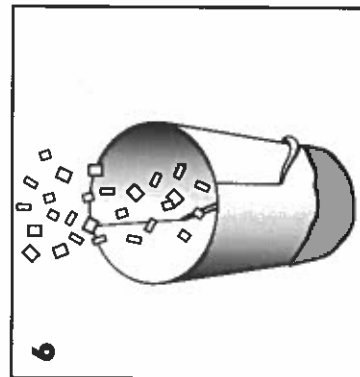
4

Invite kids to write what they are most looking forward to about heaven on a colorful piece of paper (in small writing with spaces between each idea).



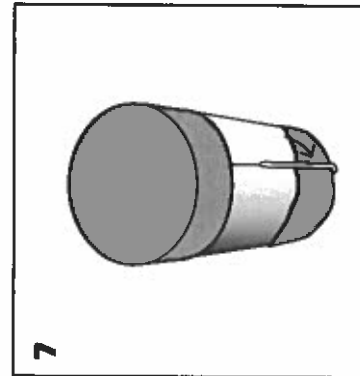
5

Tell kids to cut out each idea on their paper, fold them once or twice, and drop them into their tubes.



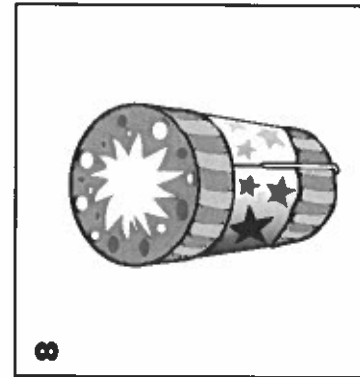
6

Invite kids to add confetti to their tubes, by carefully pouring it through the open end.



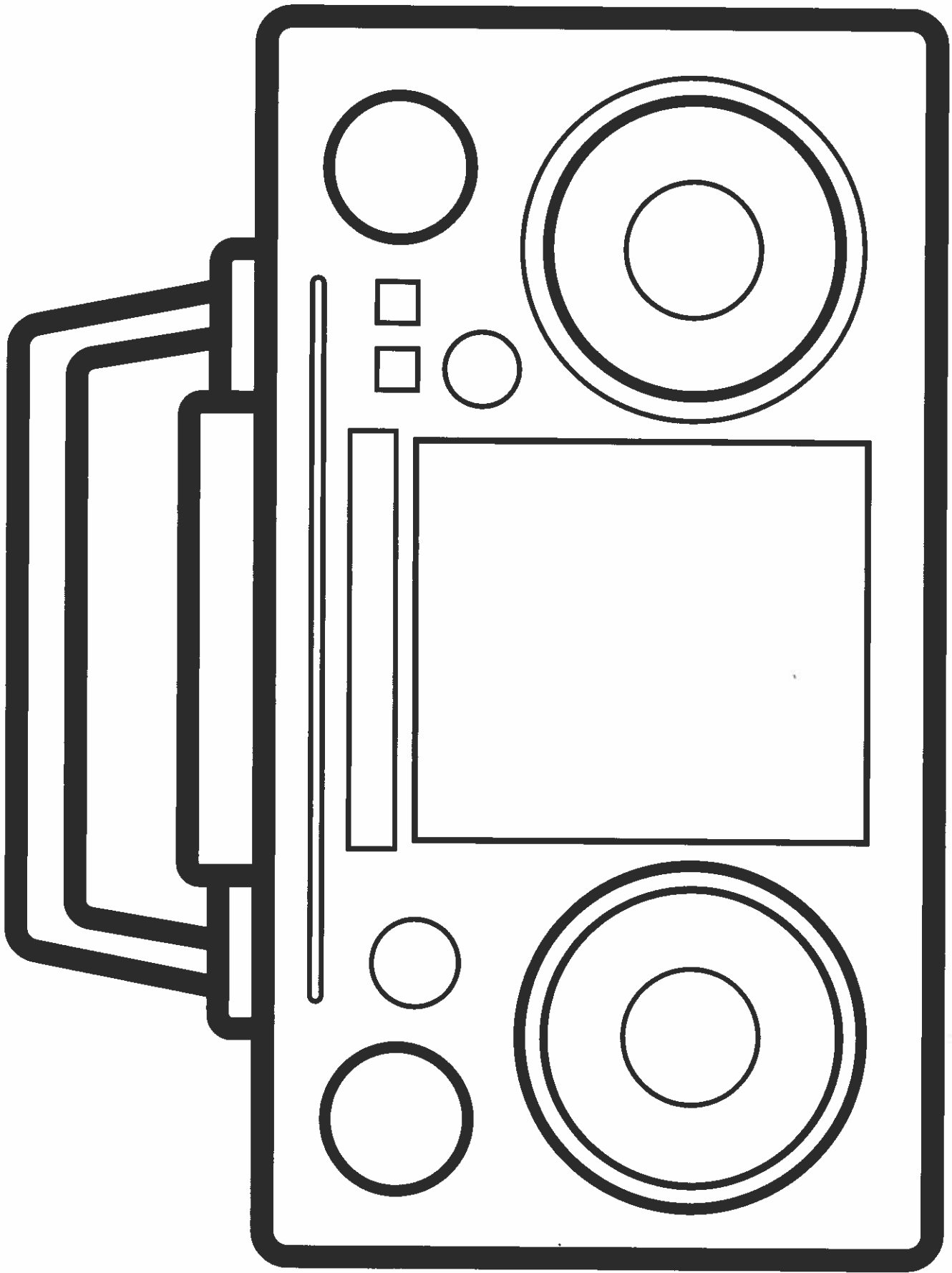
7

Direct kids to use another prepared tissue paper square to cover the other end of the tube, securing it with tape or glue (with time to dry). They should also pull the rubber band (or hair tie) to stretch over the end of the tube opposite from where the slits were cut.



8

Invite kids to use remaining supplies, such as colorful paper, markers, stickers, and/or washi tape to decorate their confetti poppers.



PHILIPPIANS 4:4

What to Do:
Print on cardstock, one for each kid.

"Be Kind Rewind" Activity Page
July 2024, Week 4, Small Group 2-3
©2024 The reThink Group, Inc. All rights reserved.